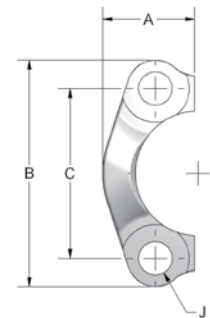


# J518 Split & Captive Flange

| CODE 61 SPLIT FLANGE |                |             |      |      |       |      |      |       |       |      |      |                   |              |
|----------------------|----------------|-------------|------|------|-------|------|------|-------|-------|------|------|-------------------|--------------|
| *PART NO.            | **KIT PART NO. | FLANGE SIZE | A    | B    | C     | D    | E    | F     | G     | H    | J    | MOUNTING HARDWARE |              |
|                      |                |             |      |      |       |      |      |       |       |      |      | O-RING            | HHCS         |
| 8SF-2                | 8SFO           | .50         | .86  | 2.12 | 1.500 | .75  | .50  | 1.219 | .955  | .245 | .350 | 210               | 5/16-18X1.25 |
| 12SF-2               | 12SFO          | .75         | .98  | 2.56 | 1.875 | .88  | .56  | 1.531 | 1.265 | .245 | .417 | 214               | 3/8-16X1.25  |
| 16SF-2               | 16SFO          | 1.00        | 1.11 | 2.75 | 2.062 | .94  | .62  | 1.781 | 1.515 | .295 | .417 | 219               | 3/8-16X1.25  |
| 20SF-2               | 20SFO          | 1.25        | 1.39 | 3.12 | 2.312 | .88  | .56  | 2.031 | 1.720 | .295 | .472 | 222               | 7/16-14X1.50 |
| 24SF-2               | 24SFO          | 1.50        | 1.58 | 3.69 | 2.750 | 1.00 | .62  | 2.406 | 2.000 | .295 | .524 | 225               | 1/2-13X1.50  |
| 32SF-2               | 32SFO          | 2.00        | 1.86 | 4.00 | 3.062 | 1.03 | .62  | 2.844 | 2.470 | .355 | .524 | 228               | 1/2-13X1.50  |
| 40SF-2               | 40SFO          | 2.50        | 2.09 | 4.50 | 3.500 | 1.50 | .75  | 3.344 | 2.950 | .355 | .524 | 232               | 1/2-13X1.75  |
| 48SF-2               | 48SFO          | 3.00        | 2.53 | 5.31 | 4.188 | 1.62 | .88  | 4.031 | 3.580 | .355 | .657 | 237               | 5/8-11X1.75  |
| 56SF-2               | 56SFO          | 3.50        | 2.70 | 6.00 | 4.750 | 1.12 | .88  | 4.531 | 4.030 | .422 | .657 | 241               | 5/8-11X2.00  |
| 64SF-2               | 64SFO          | 4.00        | 2.95 | 6.38 | 5.125 | 1.38 | 1.00 | 5.031 | 4.530 | .422 | .657 | 245               | 5/8-11X2.00  |



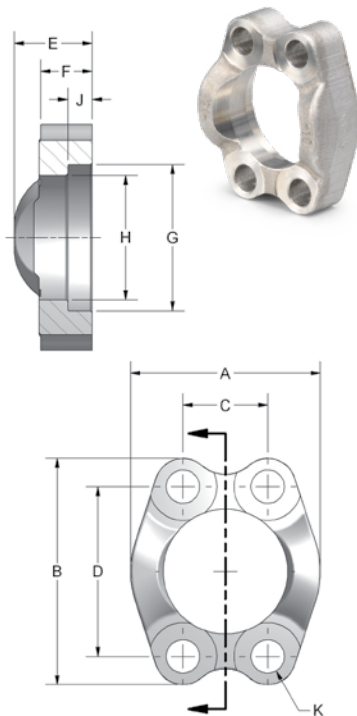
| CODE 62 SPLIT FLANGE |                |             |      |      |       |      |      |       |       |      |      |                   |              |
|----------------------|----------------|-------------|------|------|-------|------|------|-------|-------|------|------|-------------------|--------------|
| *PART NO.            | **KIT PART NO. | FLANGE SIZE | A    | B    | C     | D    | E    | F     | G     | H    | J    | MOUNTING HARDWARE |              |
|                      |                |             |      |      |       |      |      |       |       |      |      | O-RING            | HHCS         |
| 8SFX-2               | 8SFXO          | .50         | .89  | 2.22 | 1.594 | .88  | .62  | 1.281 | .970  | .285 | .350 | 210               | 5/16-18X1.25 |
| 12SFX-2              | 12SFXO         | .75         | 1.14 | 2.81 | 2.000 | 1.12 | .75  | 1.656 | 1.280 | .325 | .417 | 214               | 3/8-16X1.50  |
| 16SFX-2              | 16SFXO         | 1.00        | 1.33 | 3.19 | 2.250 | 1.31 | .94  | 1.906 | 1.530 | .355 | .472 | 219               | 7/16-14X1.75 |
| 20SFX-2              | 20SFXO         | 1.25        | 1.48 | 3.75 | 2.625 | 1.50 | 1.06 | 2.156 | 1.750 | .385 | .524 | 222               | 1/2-13X1.75  |
| 24SFX-2              | 24SFXO         | 1.50        | 1.83 | 4.44 | 3.125 | 1.69 | 1.19 | 2.531 | 2.030 | .475 | .657 | 225               | 5/8-11X2.25  |
| 32SFX-2              | 32SFXO         | 2.00        | 2.20 | 5.25 | 3.812 | 2.06 | 1.44 | 3.156 | 2.660 | .475 | .811 | 228               | 3/4-10X2.75  |



Part # includes: (1) split flange half only

\*\*Kit part # includes: (2) split flange halves, (4) hex head screws with flat washers, (1) Buna N O-Ring

Split flange halves are silver trivalent plated



| CODE 61 CAPTIVE FLANGE |                 |             |      |      |       |       |      |      |       |       |      |      |          |  |
|------------------------|-----------------|-------------|------|------|-------|-------|------|------|-------|-------|------|------|----------|--|
| DRILLED PART NO.       | TAPPED PART NO. | FLANGE SIZE | A    | B    | C     | D     | E    | F    | G     | H     | J    | K    | K UNC-2B |  |
| 8SFW                   | 8SFTW           | .50         | 1.81 | 2.12 | .688  | 1.500 | .75  | .50  | 1.219 | .955  | .245 | .344 | 5/16-18  |  |
| 12SFW                  | 12SFTW          | .75         | 2.06 | 2.56 | .875  | 1.875 | .88  | .56  | 1.531 | 1.265 | .245 | .406 | 3/8-16   |  |
| 16SFW                  | 16SFTW          | 1.00        | 2.31 | 2.75 | 1.031 | 2.062 | .94  | .62  | 1.781 | 1.515 | .295 | .406 | 3/8-16   |  |
| 20SFW                  | 20SFTW          | 1.25        | 2.88 | 3.12 | 1.188 | 2.312 | .88  | .56  | 2.031 | 1.720 | .295 | .469 | 7/16-14  |  |
| 24SFW                  | 24SFTW          | 1.50        | 3.25 | 3.69 | 1.406 | 2.750 | 1.00 | .62  | 2.406 | 2.000 | .295 | .531 | 1/2-13   |  |
| 32SFW                  | 32SFTW          | 2.00        | 3.81 | 4.00 | 1.688 | 3.062 | 1.03 | .62  | 2.844 | 2.470 | .355 | .531 | 1/2-13   |  |
| 40SFW                  | 40SFTW          | 2.50        | 4.28 | 4.50 | 2.000 | 3.500 | 1.50 | .75  | 3.344 | 2.950 | .355 | .531 | 1/2-13   |  |
| 48SFW                  | 48SFTW          | 3.00        | 5.16 | 5.31 | 2.438 | 4.188 | 1.62 | .88  | 4.031 | 3.580 | .355 | .656 | 5/8-11   |  |
| 56SFW                  | 56SFTW          | 3.50        | 5.50 | 6.00 | 2.750 | 4.750 | 1.12 | .88  | 4.531 | 4.030 | .422 | .656 | 5/8-11   |  |
| 64SFW                  | 64SFTW          | 4.00        | 6.00 | 6.38 | 3.062 | 5.125 | 1.38 | 1.00 | 5.031 | 4.530 | .422 | .656 | 5/8-11   |  |

| CODE 62 CAPTIVE FLANGE |                 |             |      |      |       |       |      |      |       |       |      |      |          |  |
|------------------------|-----------------|-------------|------|------|-------|-------|------|------|-------|-------|------|------|----------|--|
| DRILLED PART NO.       | TAPPED PART NO. | FLANGE SIZE | A    | B    | C     | D     | E    | F    | G     | H     | J    | K    | K UNC-2B |  |
| 8SFXW                  | 8SFXTW          | .50         | 1.86 | 2.22 | .718  | 1.594 | .88  | .62  | 1.281 | .970  | .285 | .344 | 5/16-18  |  |
| 12SFXW                 | 12SFXTW         | .75         | 2.38 | 2.81 | .937  | 2.000 | 1.12 | .75  | 1.656 | 1.280 | .325 | .406 | 3/8-16   |  |
| 16SFXW                 | 16SFXTW         | 1.00        | 2.75 | 3.19 | 1.093 | 2.250 | 1.31 | .94  | 1.906 | 1.530 | .355 | .469 | 7/16-14  |  |
| 20SFXW                 | 20SFXTW         | 1.25        | 3.06 | 3.75 | 1.250 | 2.625 | 1.50 | 1.06 | 2.156 | 1.750 | .385 | .531 | 1/2-13   |  |
| 24SFXW                 | 24SFXTW         | 1.50        | 3.75 | 4.44 | 1.437 | 3.125 | 1.69 | 1.19 | 2.531 | 2.030 | .475 | .656 | 5/8-11   |  |
| 32SFXW                 | 32SFXTW         | 2.00        | 4.50 | 5.25 | 1.750 | 3.812 | 2.06 | 1.44 | 3.156 | 2.660 | .475 | .781 | 3/4-10   |  |